

MEASURING DEVICE FOR LENGTH CHANGES ZGL

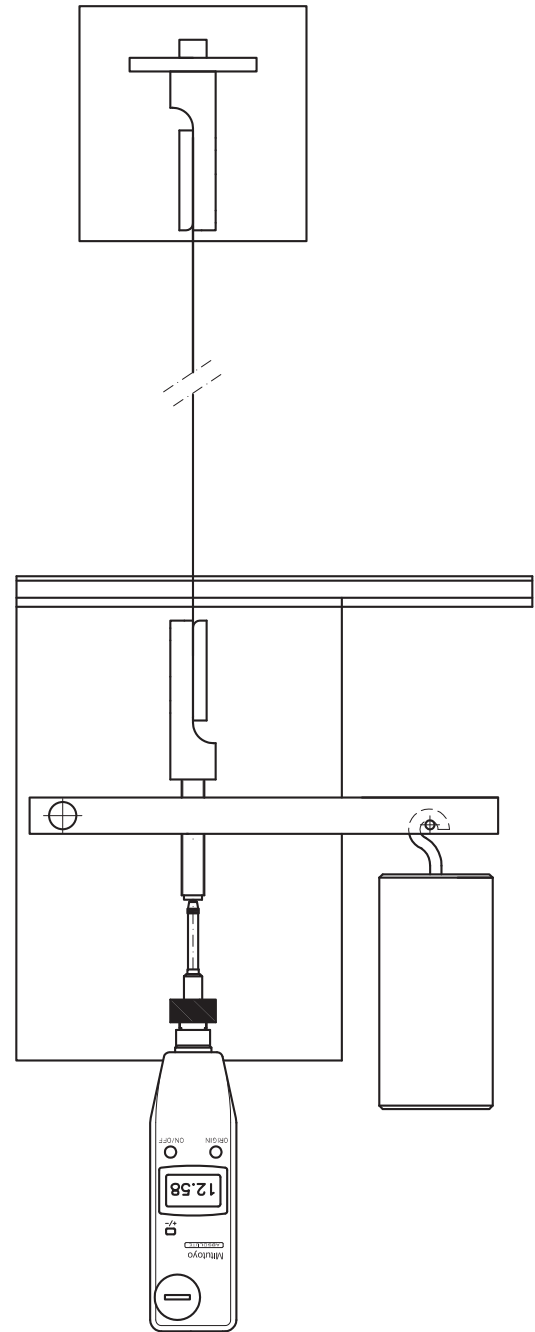
Application

The measuring device ZGL is used to measure relative changes in length in vertical or horizontal direction over distances of up to 60 m.

Description

The measuring device for length changes ZGL is a purely mechanical measuring system based on an Invar wire which is stretched between a fix mounting point and a tensioning device with support for a dial gauge. It is used to detect relative changes in length at distances of 2 to 60 m with an adjustable measuring range of up to ± 10 mm. The system can be installed both vertically and horizontally.

The sporadic reading of the length changes is done with a portable Setdeflectometer ERDM25.



Technical Data

Type	ZGL
Material	stainless steel
Invar wire	\varnothing 1.65 mm
Measuring base	ca. 2...60 m
Measuring range	± 10 mm (adjustable)
Resolution	0.01 mm
System accuracy	0.05 mm
Reading	Setdeflectometer ERDM25